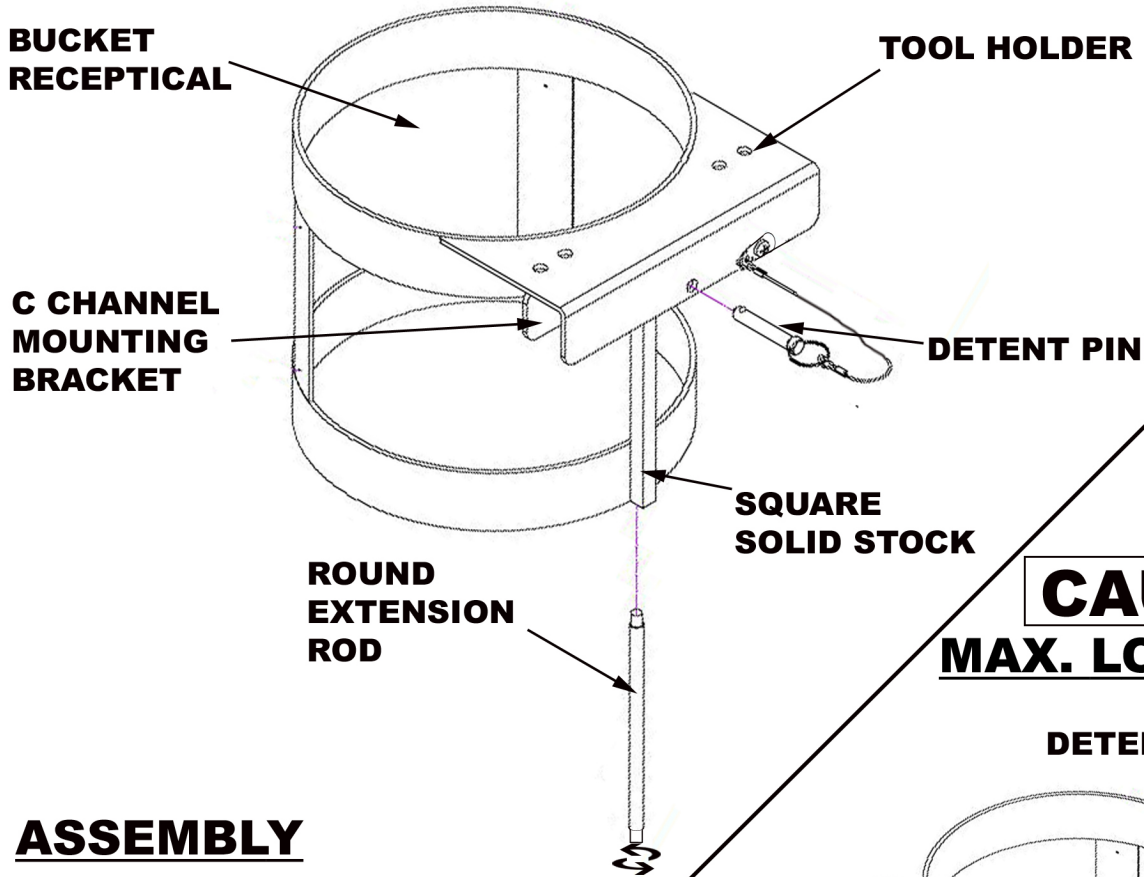


ASSEMBLY AND INSTALLATION INSTRUCTIONS FOR ITEM # A-5G (5 Gallon Paint Holder)



CAUTION
MAX. LOAD 60 LBS.

ASSEMBLY

- 1) Insert the threaded end of the round extension rod into the end of the square solid stock and turn clockwise.
- 2) Tighten the extension rod using an appropriate size wrench.

INSTALLATION

- 1) Place C channel mounting bracket onto the rung of the end frame. (fits over all 1" rungs)
- 2) Make certain the attached detent pin is fully inserted through the C channel mounting bracket to secure the paint holder to the rung.

